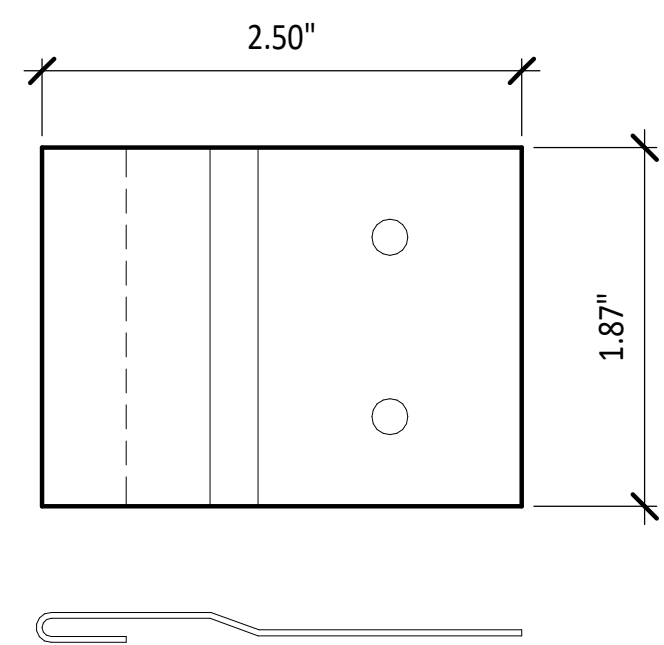
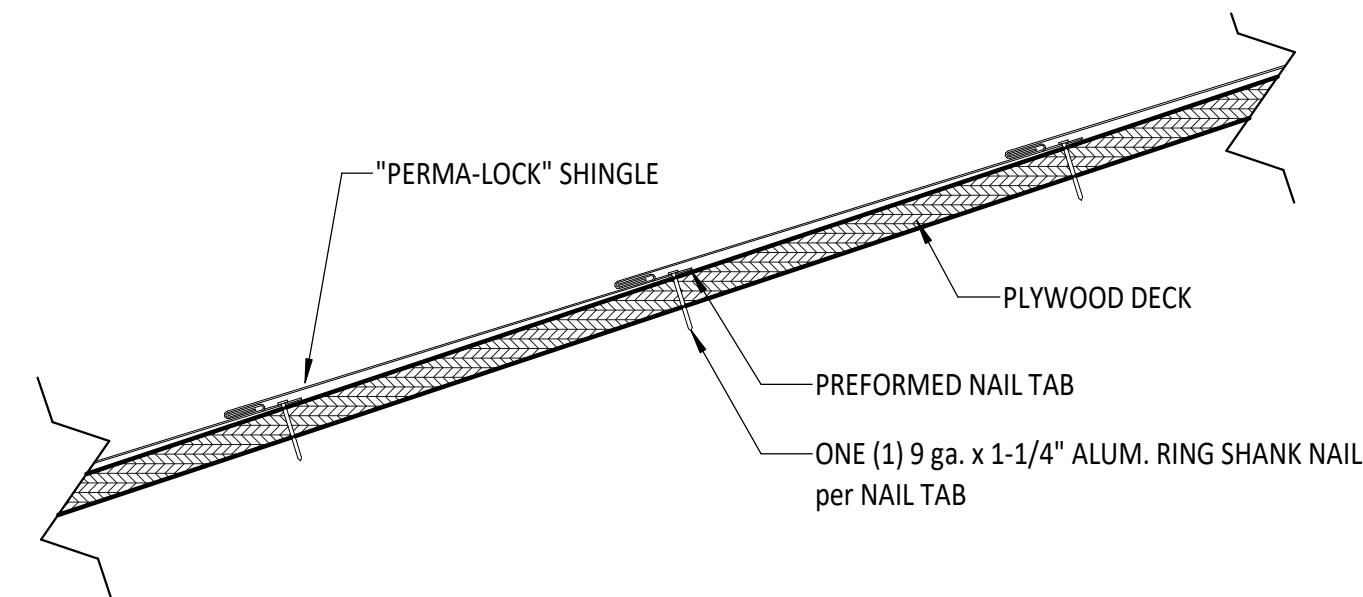


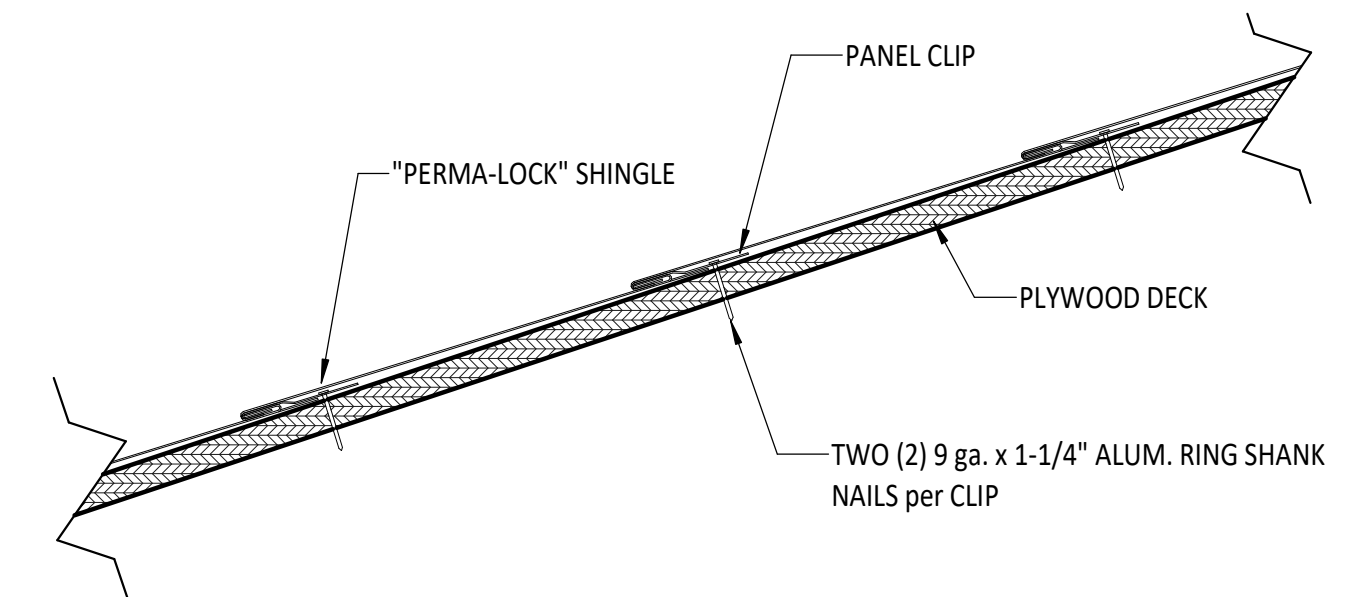
**1 "Perma-Lock" Shingle with Profile**  
SCALE: 3"=1'-0"



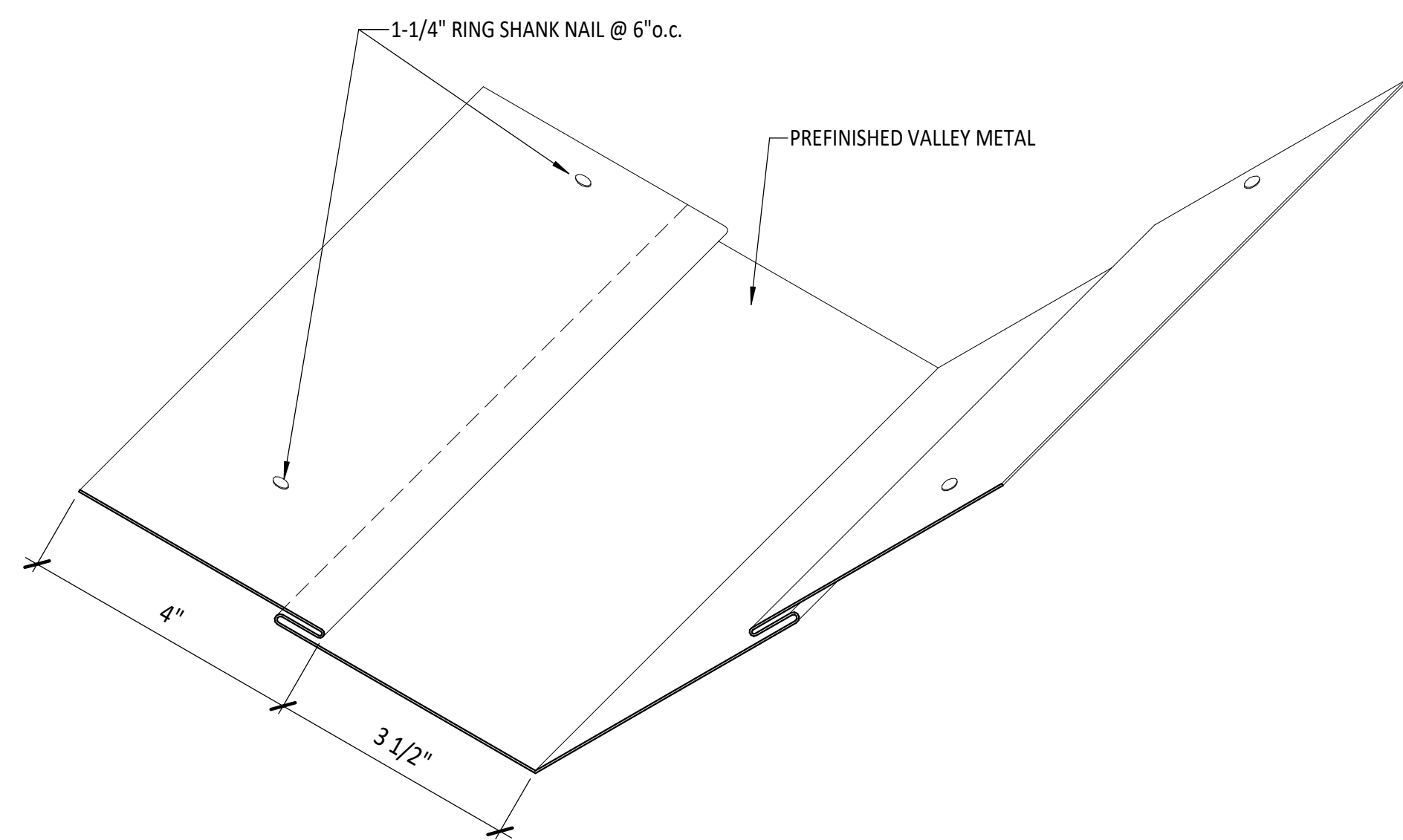
**2 Panel Clip with Profile**  
SCALE: 12"=1'-0"



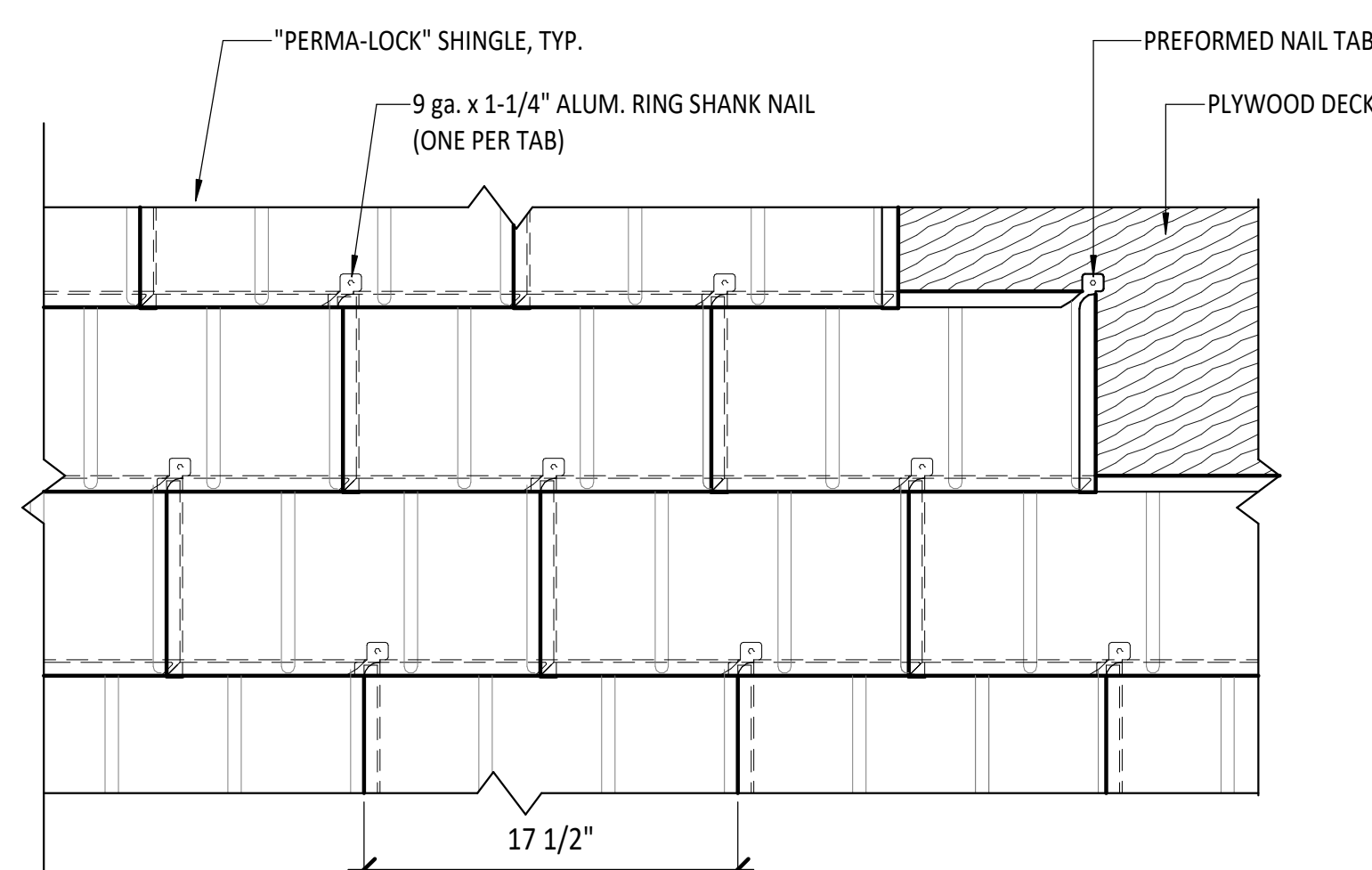
**3 Shingle Installation - SECTION (1)**  
SCALE: 3"=1'-0"



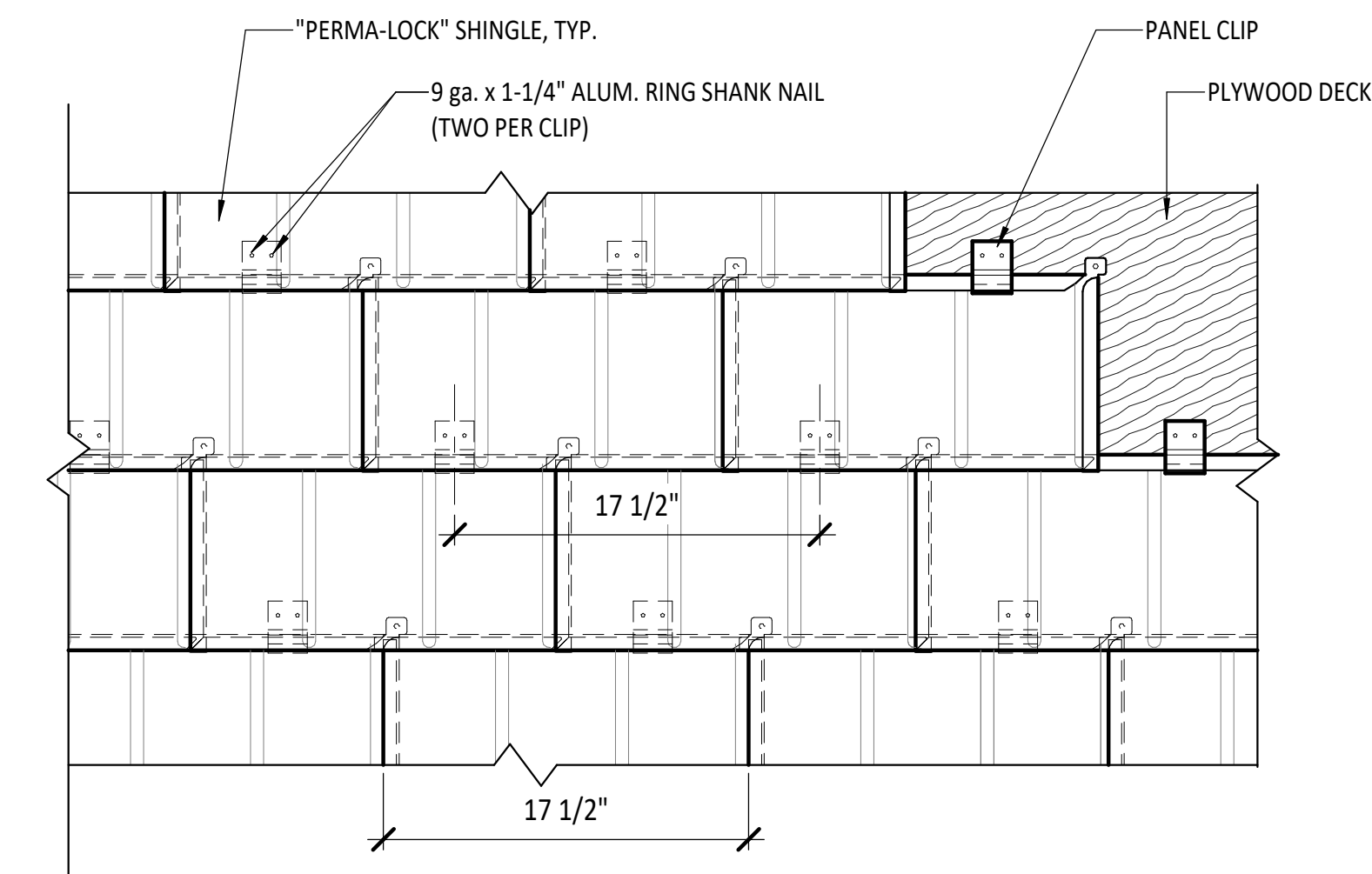
**4 Shingle Installation - SECTION (2)**  
SCALE: 3"=1'-0"



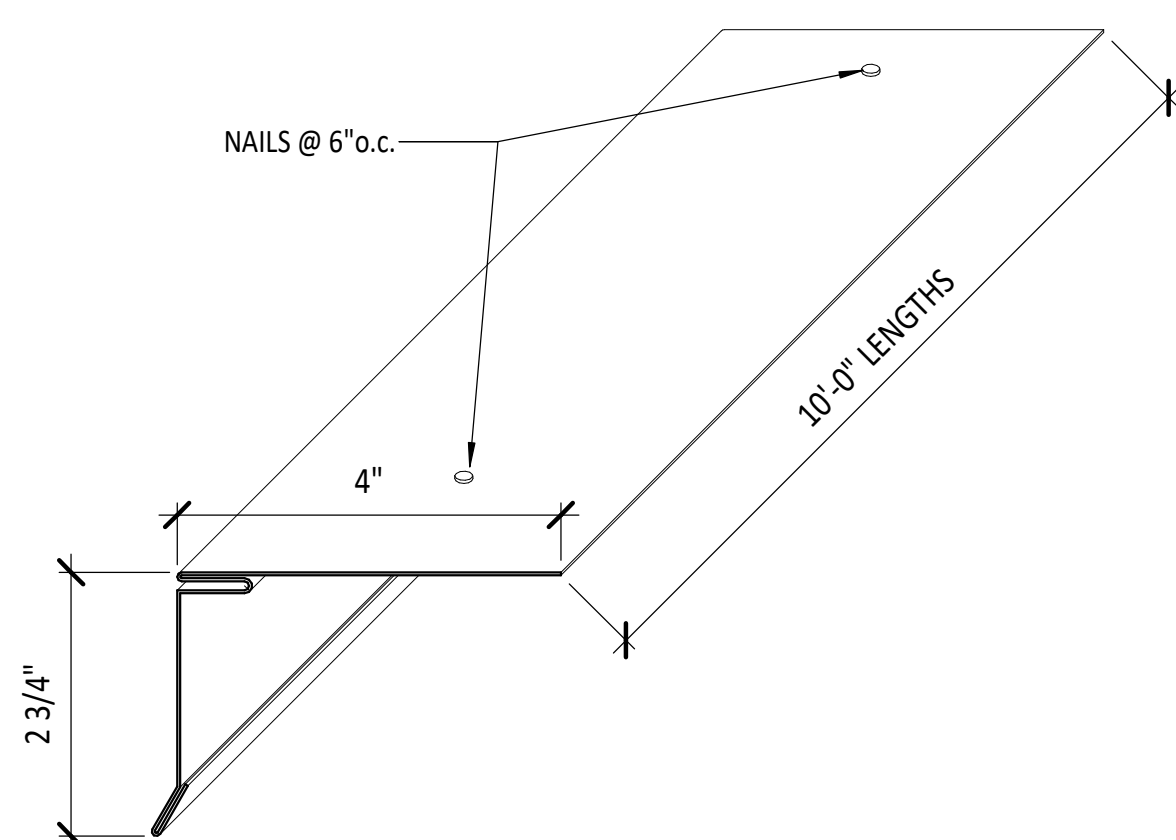
**5 Valley Flashing**  
SCALE: 6"=1'-0"



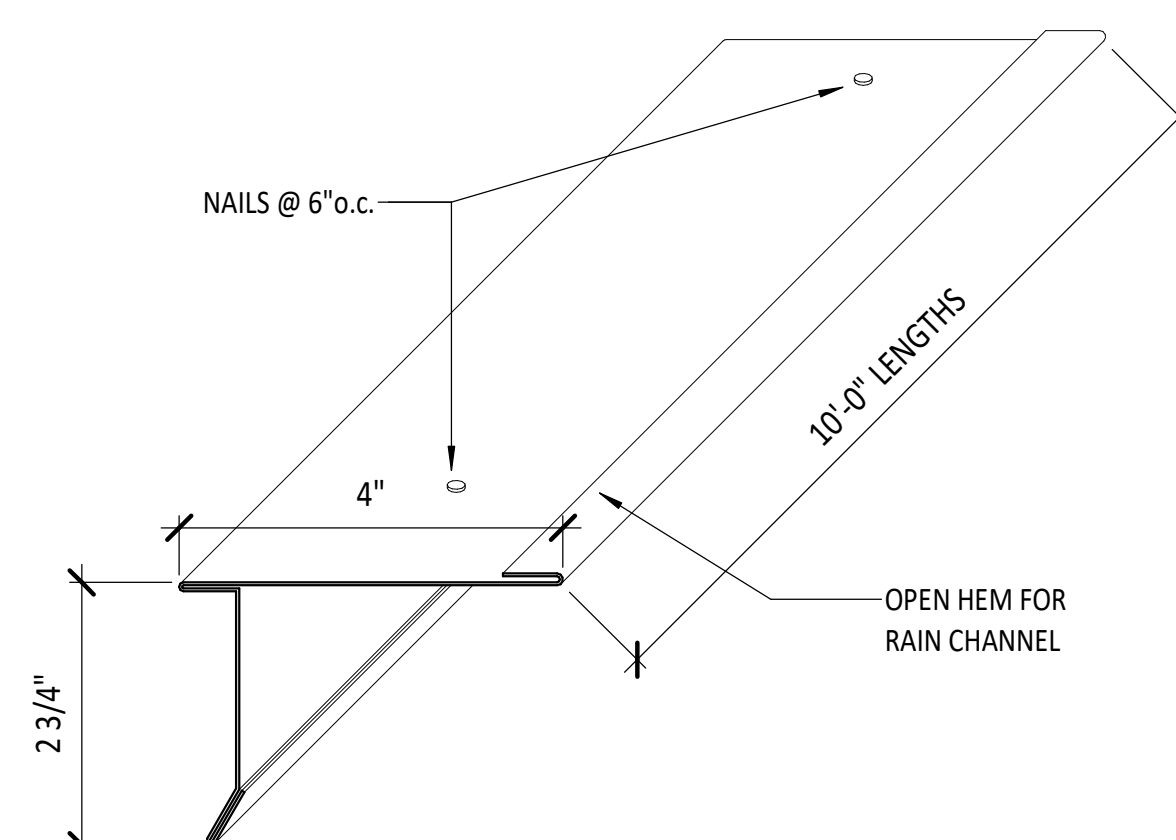
**6 Shingle Installation - PLAN (1)**  
SCALE: 1 1/2"=1'-0"



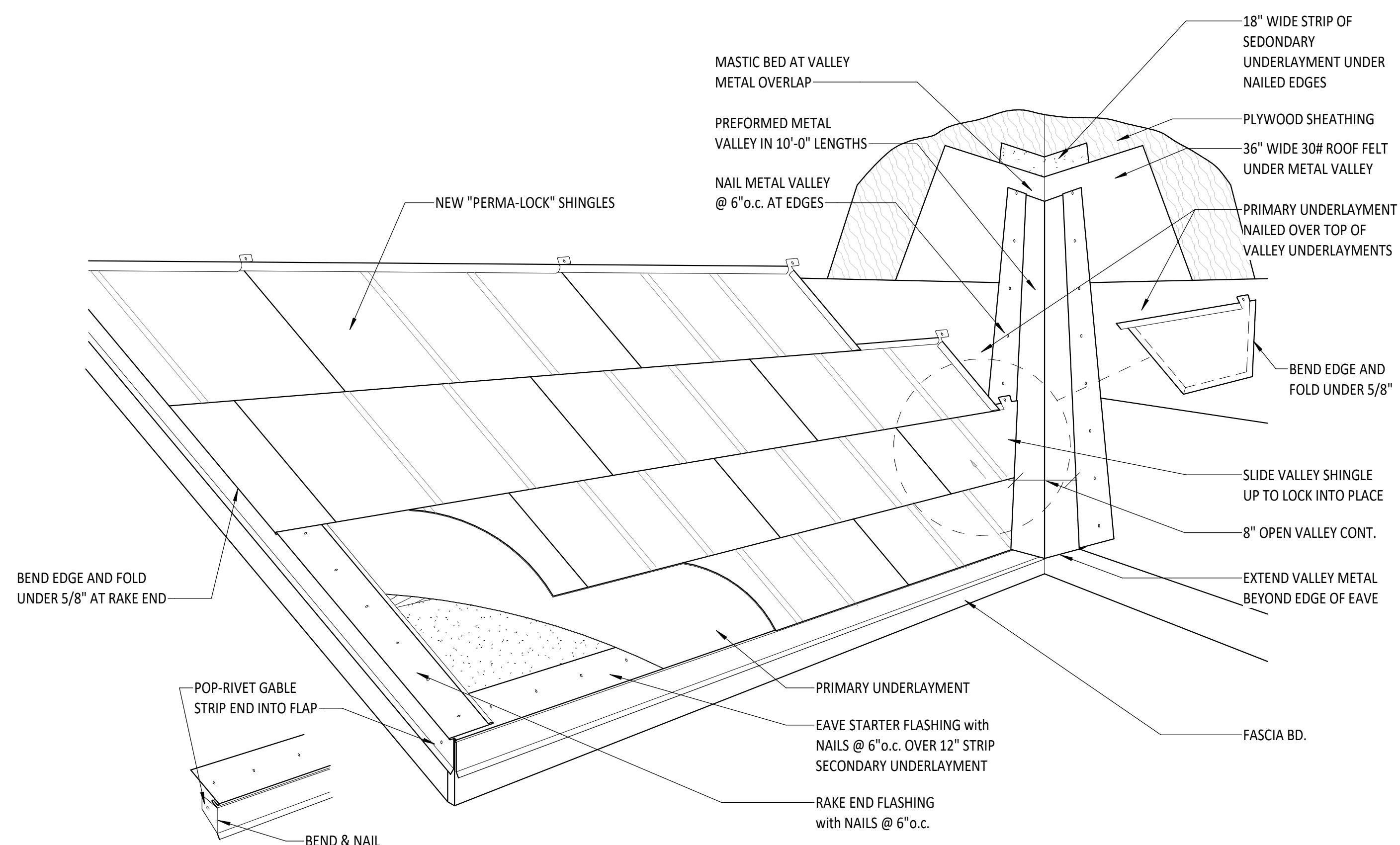
**7 Shingle Installation - PLAN (2)**  
SCALE: 1 1/2"=1'-0"



**8 Eave Starter Flashing**  
SCALE: 6"=1'-0"



**9 Rake Flashing**  
SCALE: 6"=1'-0"

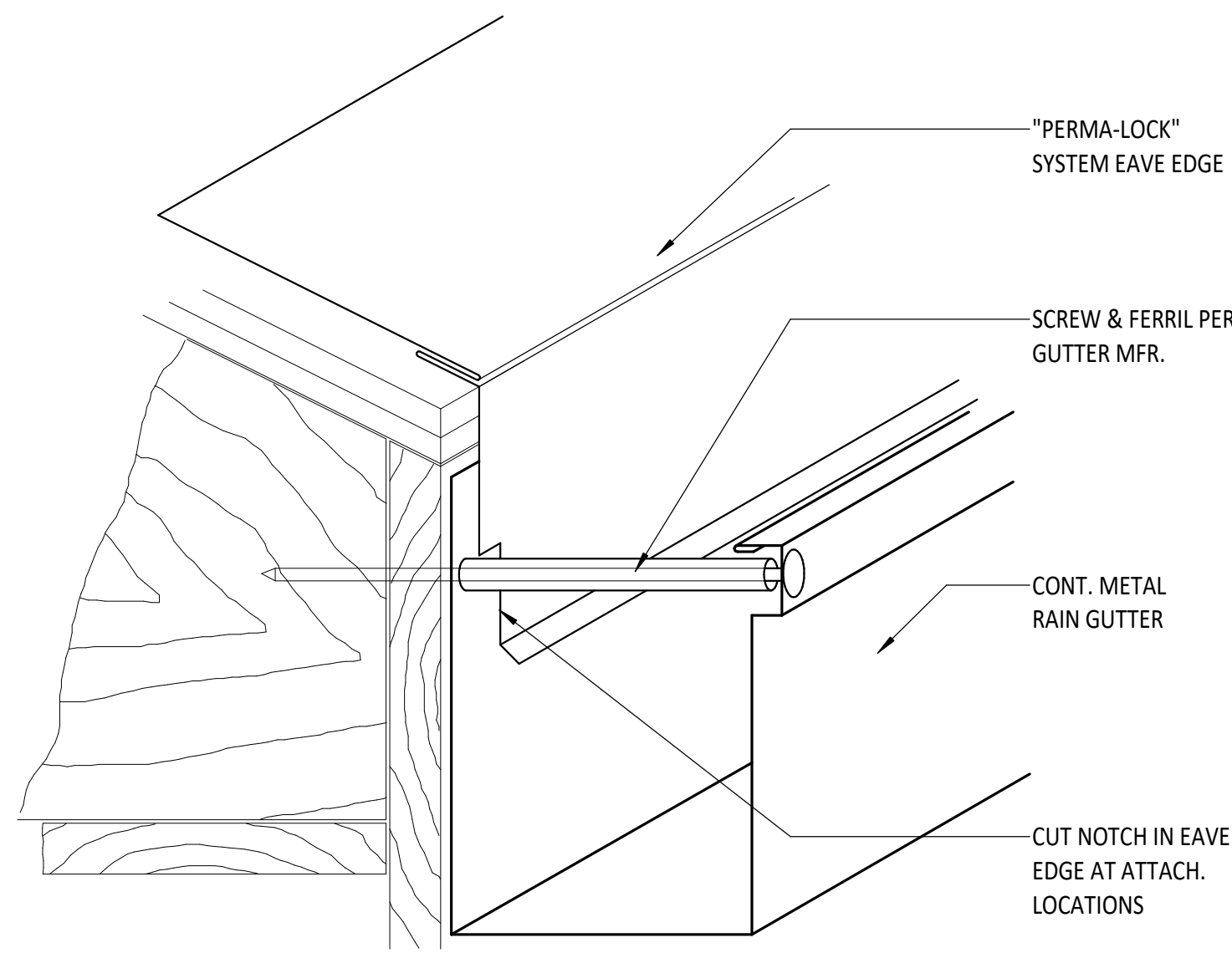


**10 Valley Assembly Detail**  
SCALE: 1"=1'-0"

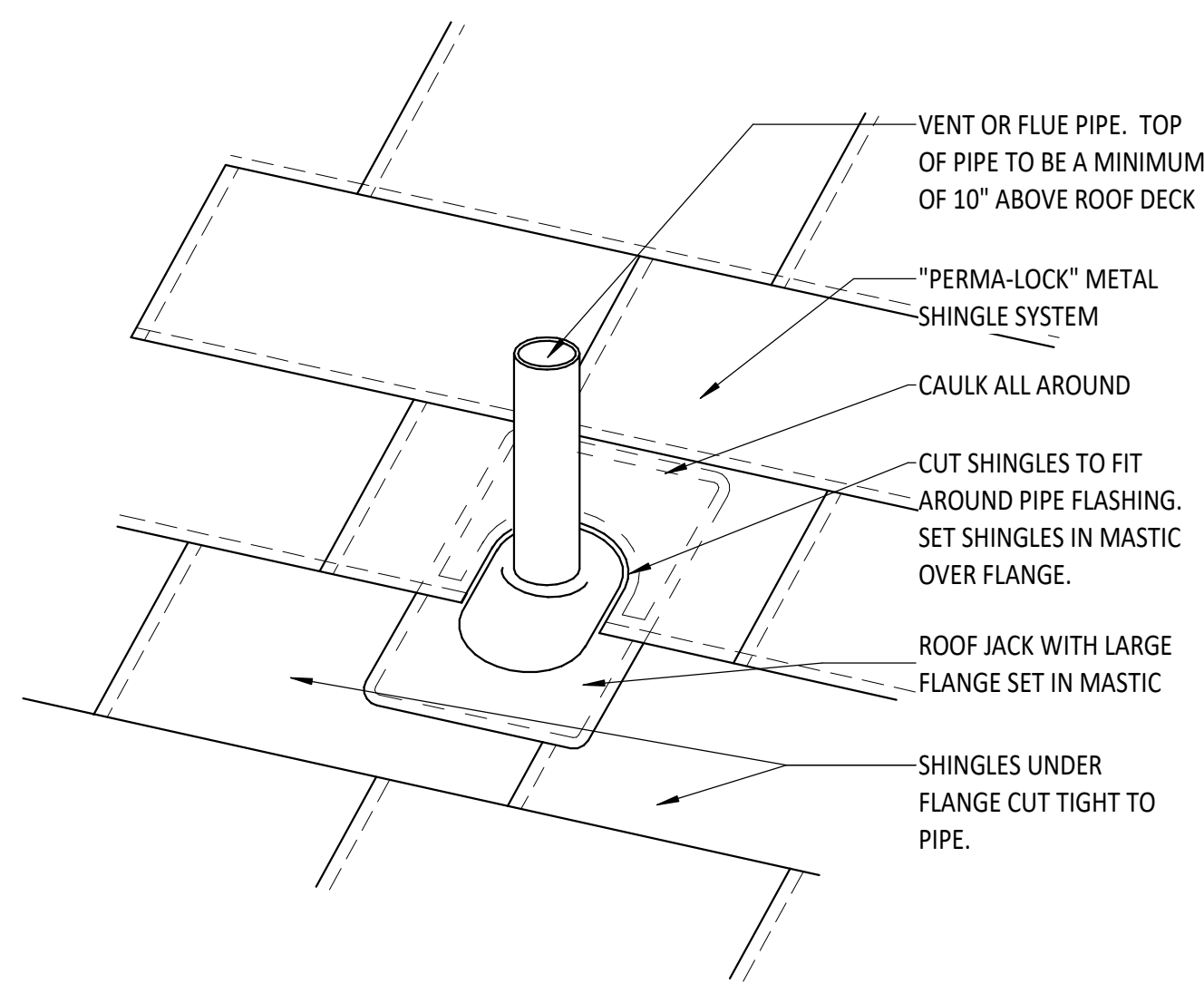
REVISIONS	DESCRIPTION

PROJECT NO.	18746
DRAWN BY	CEG
CHECKED BY	CEG
DATE	JANUARY 2019
PROP. NO.	#

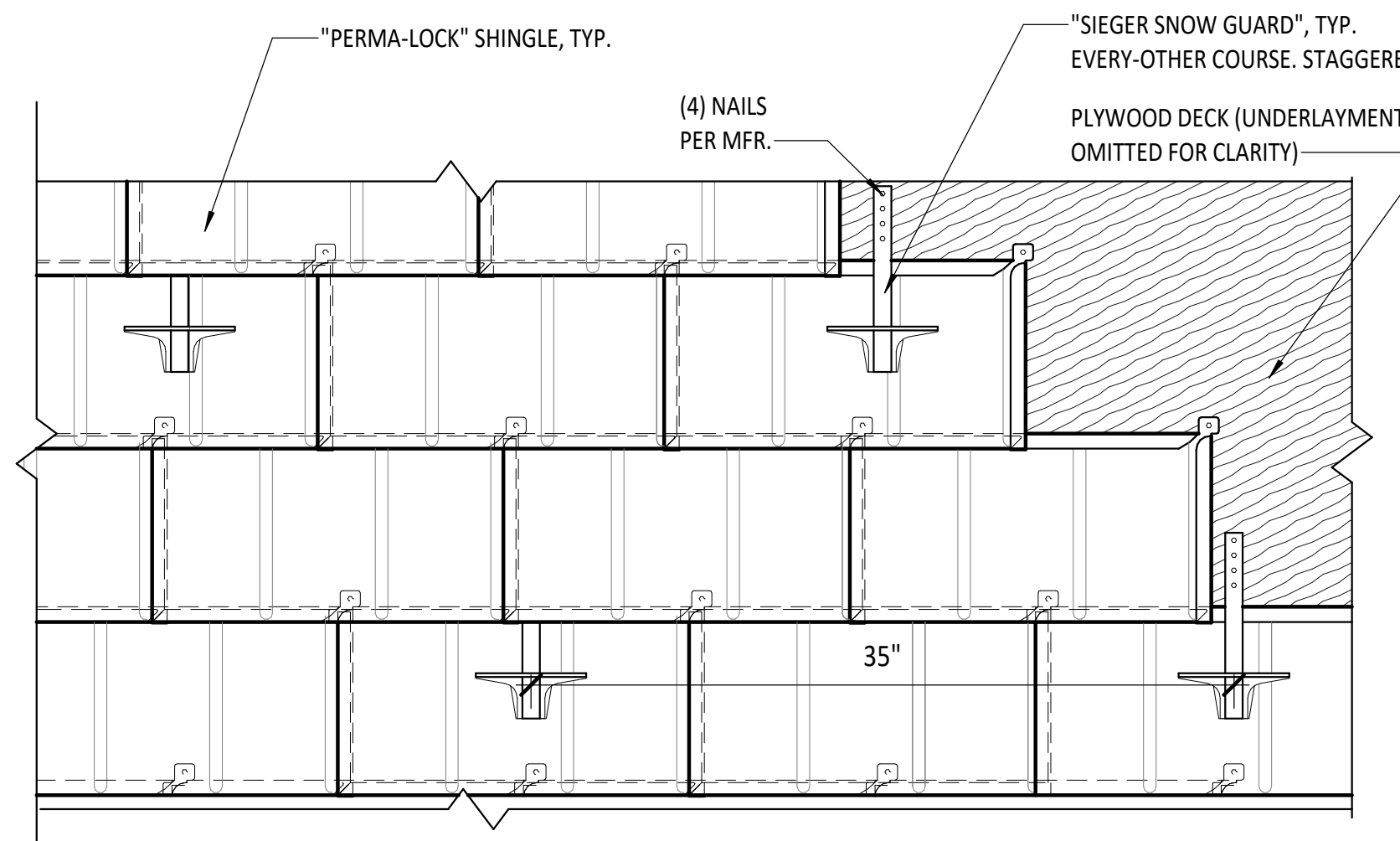
S:\2018Files\18746\Consulting\Prod\_Dwg\18746 - Details.rvt



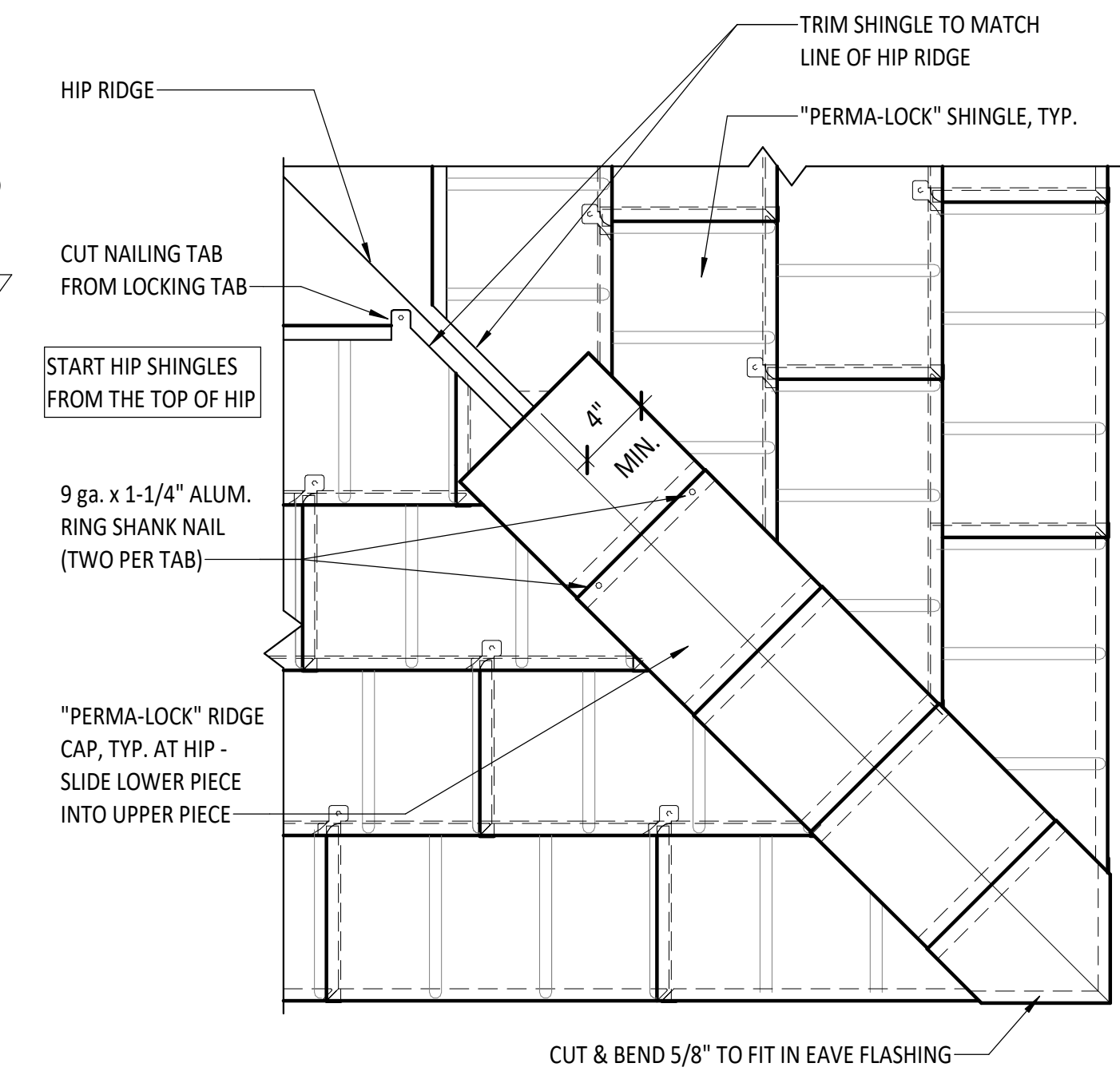
**1 Eave Flashing with Gutter**  
SCALE: N.T.S.



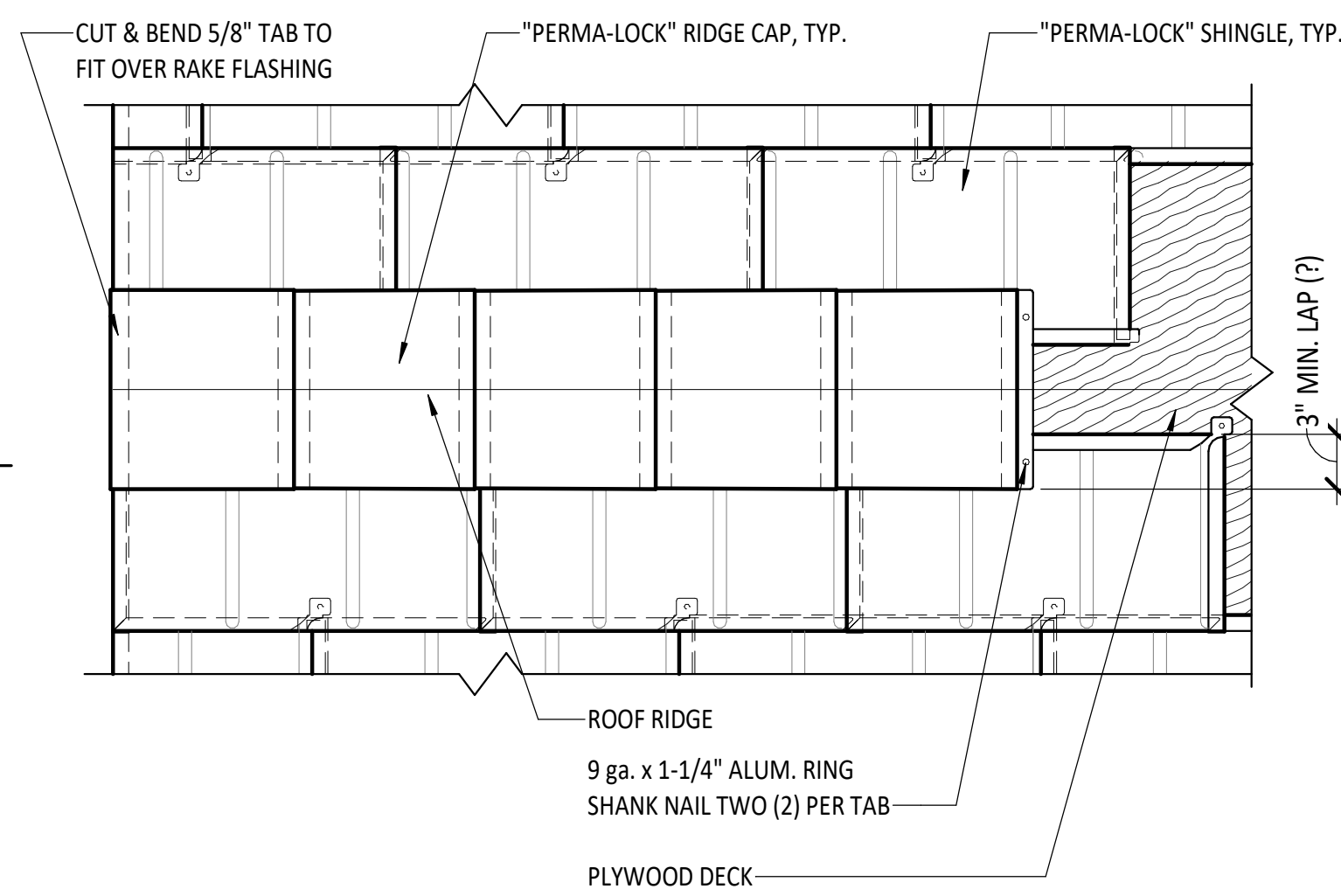
**2 Pipe Jack Flashing**  
SCALE: 1 1/2" = 1'-0"



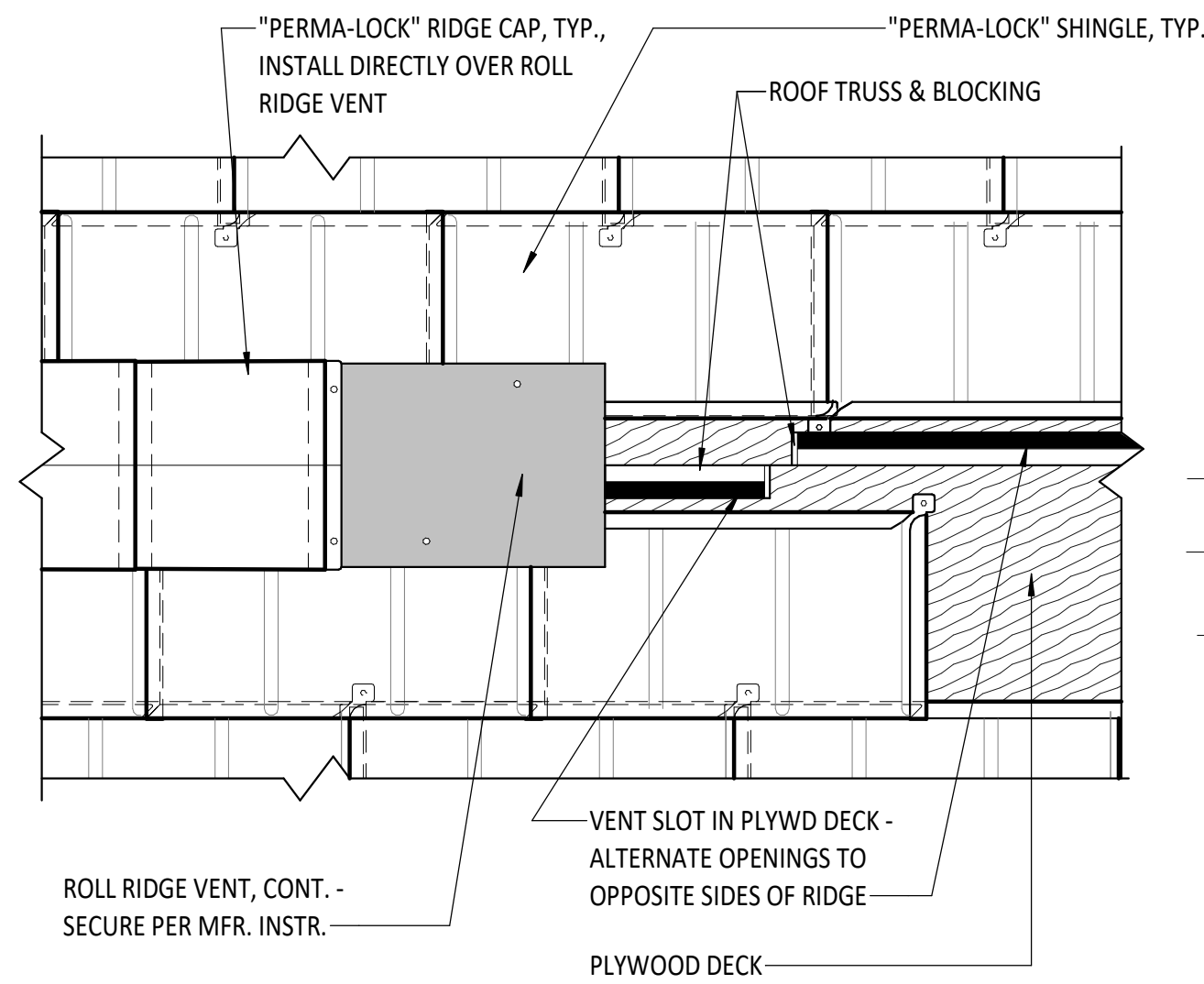
**3 Snow Guard Installation**  
SCALE: 1 1/2" = 1'-0"



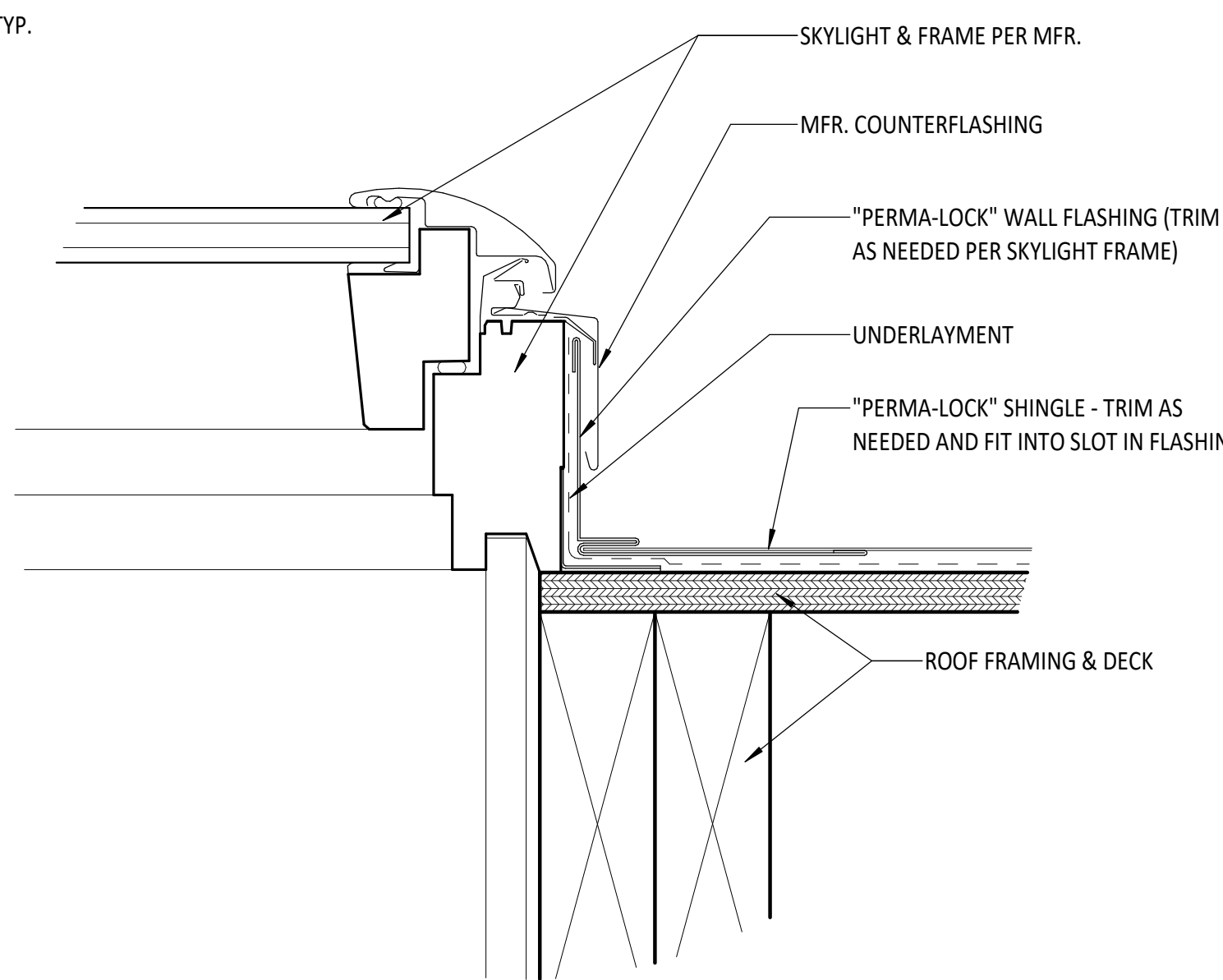
**4 Hip Ridge Detail**  
SCALE: 1 1/2" = 1'-0"



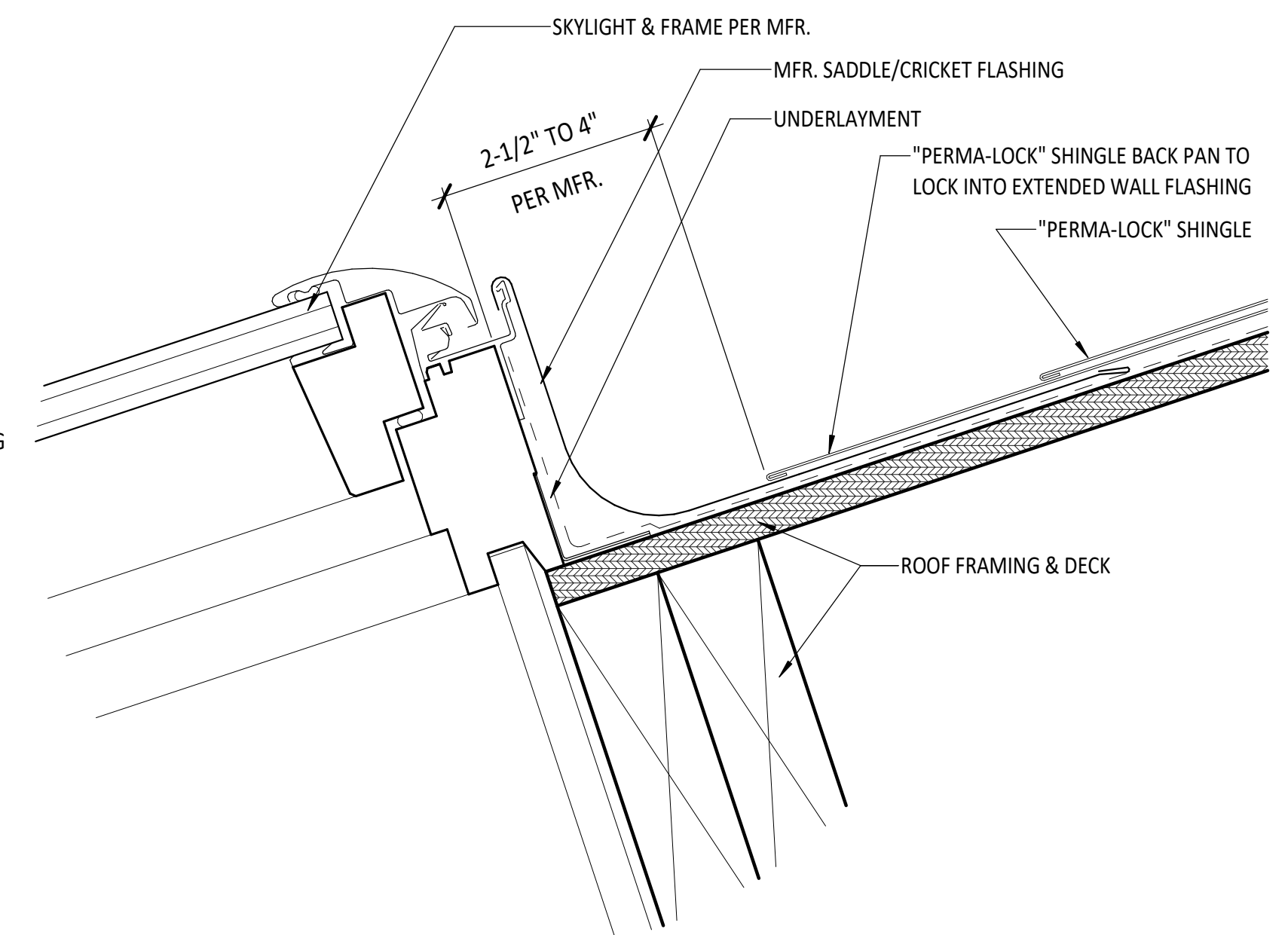
**5 Ridge Vent - Unvented**  
SCALE: 1 1/2" = 1'-0"



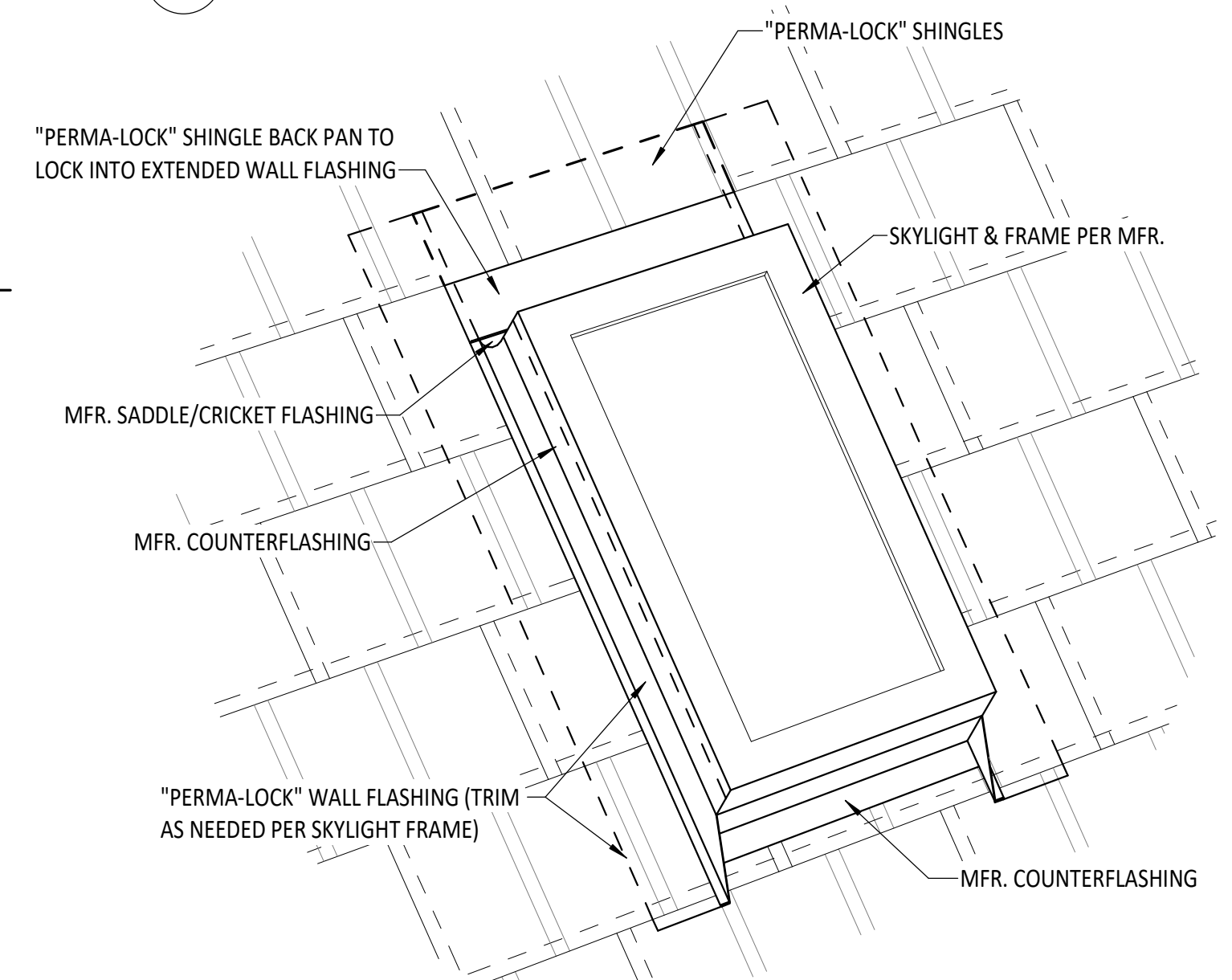
**6 Ridge Vent - Vented Roof**  
SCALE: 1 1/2" = 1'-0"



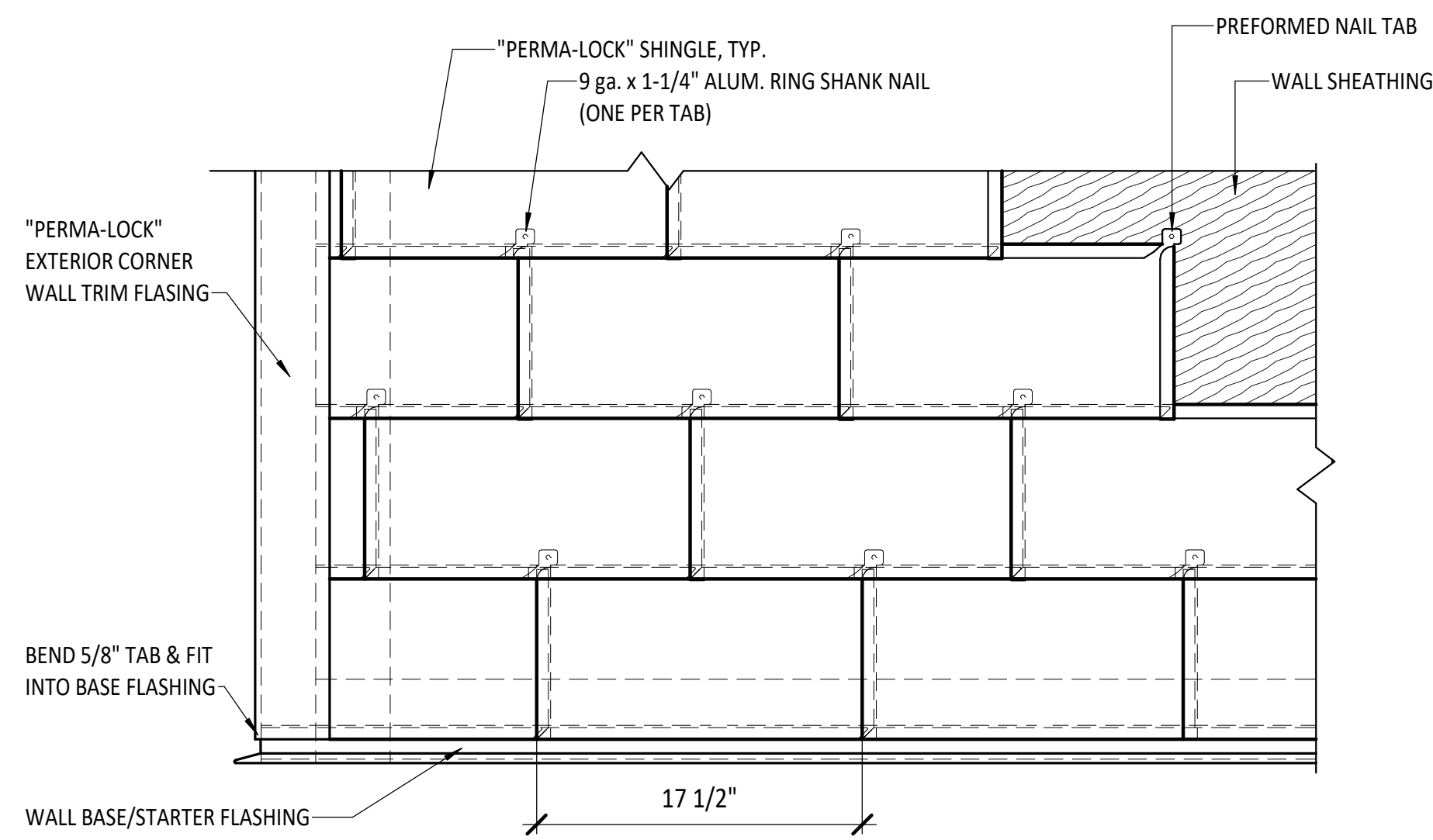
**7 Skylight Flashing 1**  
SCALE: 6" = 1'-0"



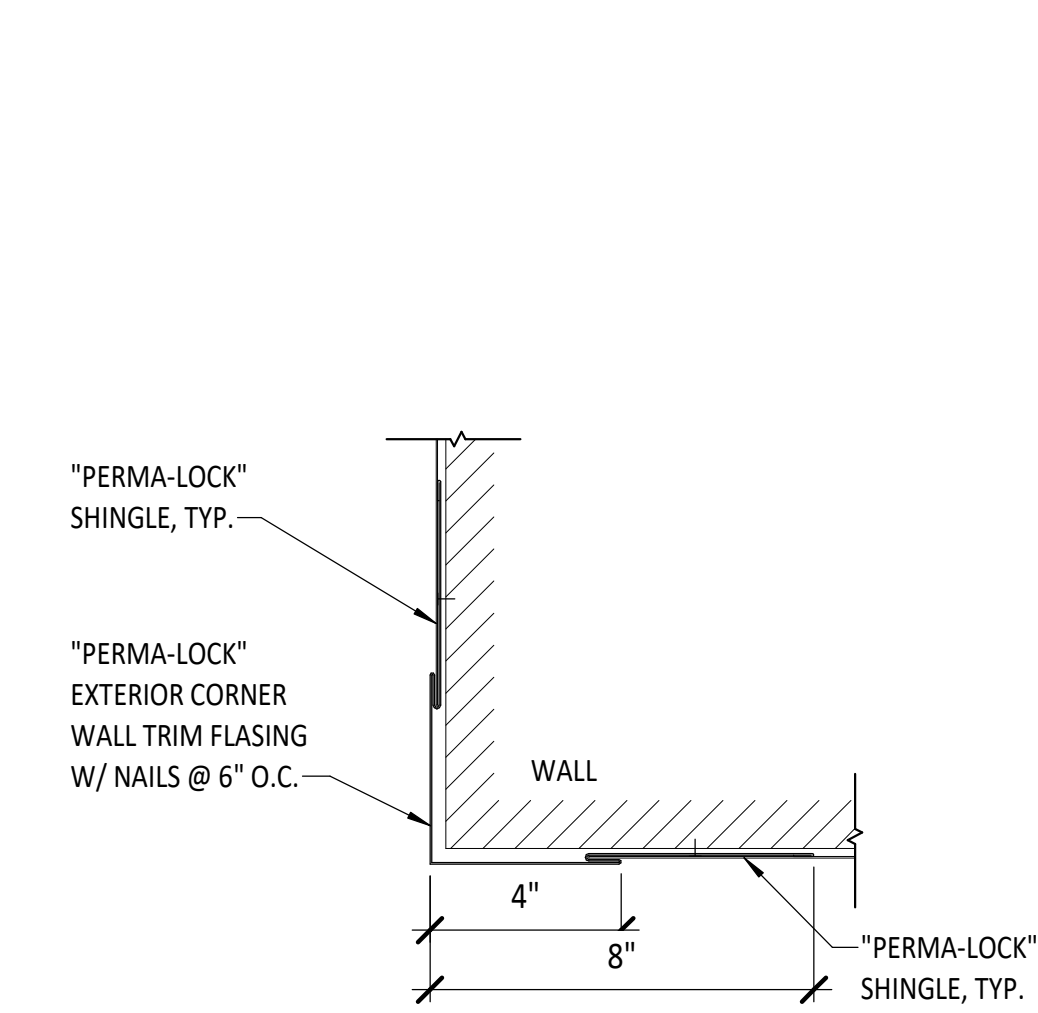
**8 Skylight Flashing 2**  
SCALE: 6" = 1'-0"



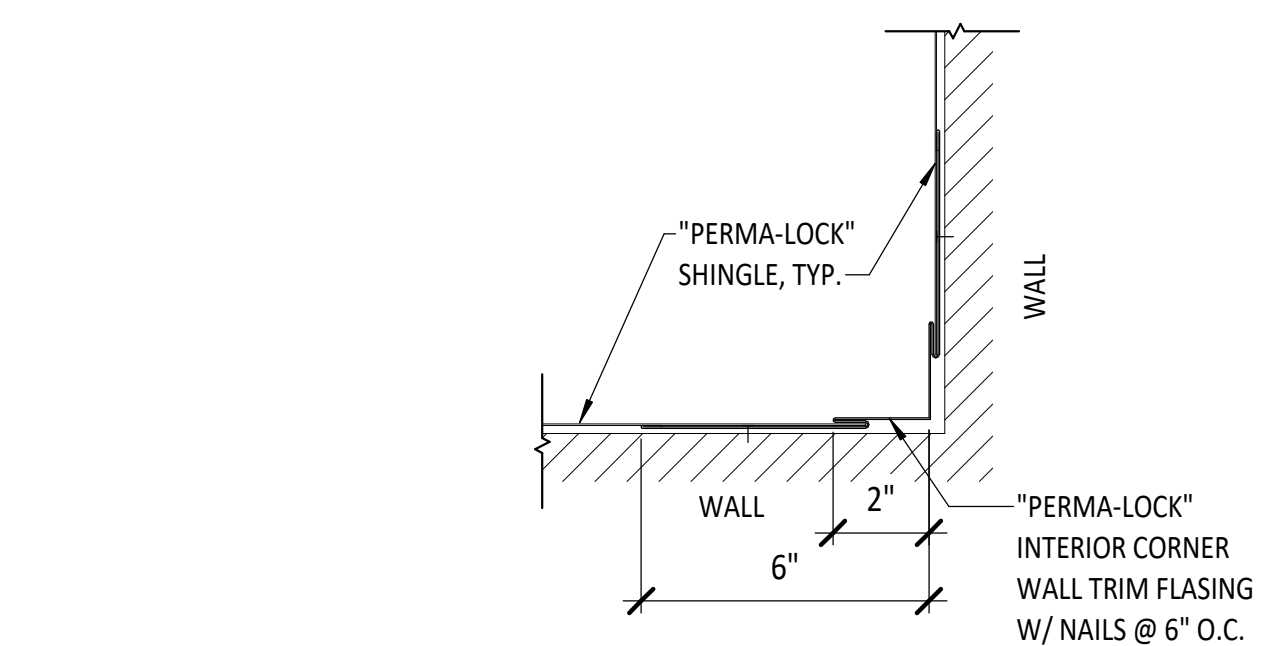
**9 Skylight Flashing 3**  
SCALE: 1 1/2" = 1'-0"



**10 Typ. Wall Layout**  
SCALE: 1 1/2" = 1'-0"



**11 Outside Wall Trim Flashing**  
SCALE: 3" = 1'-0"



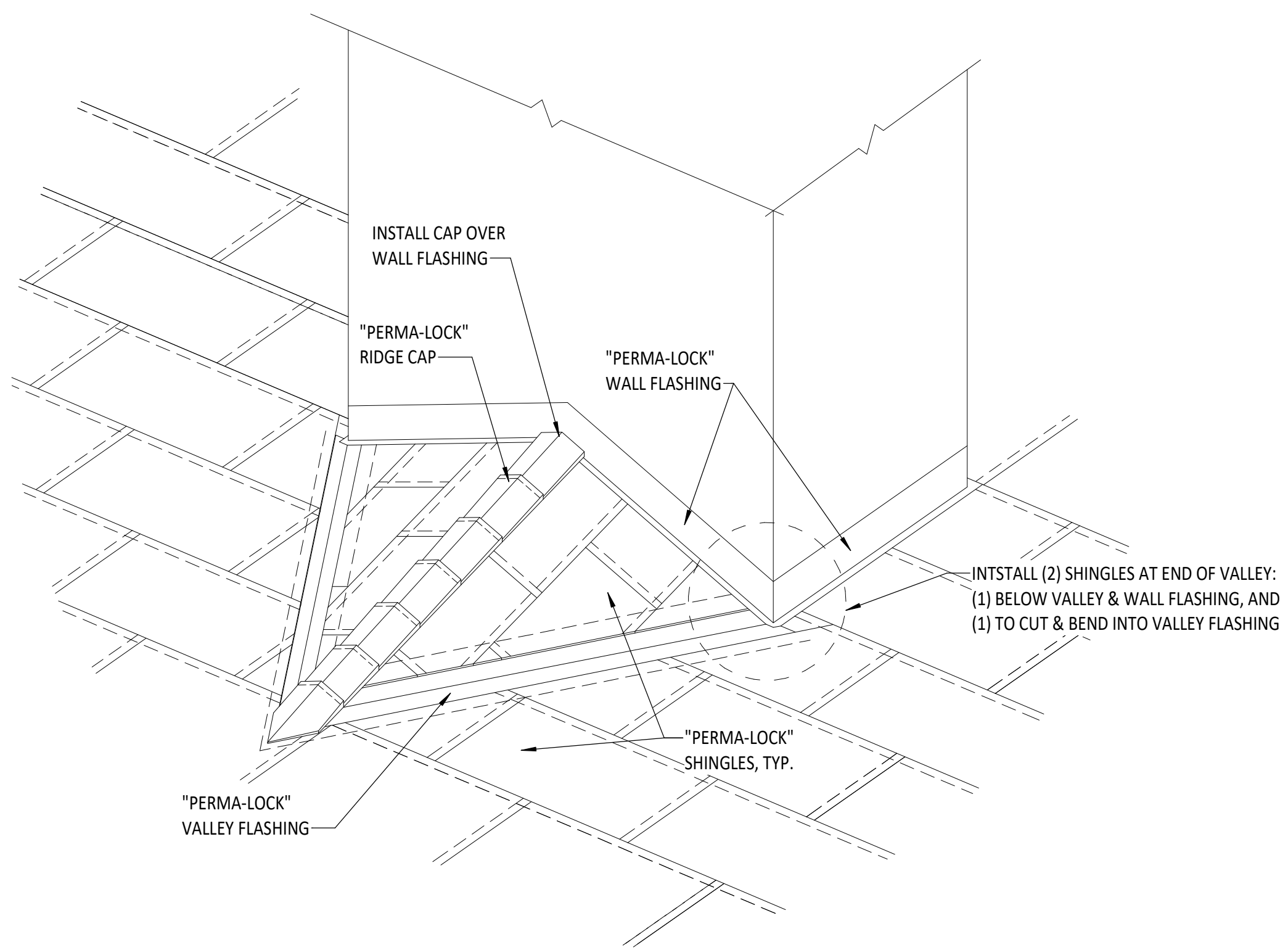
**12 Inside Wall Trim Flashing**  
SCALE: 3" = 1'-0"

REVISIONS	DESCRIPTION	DATE

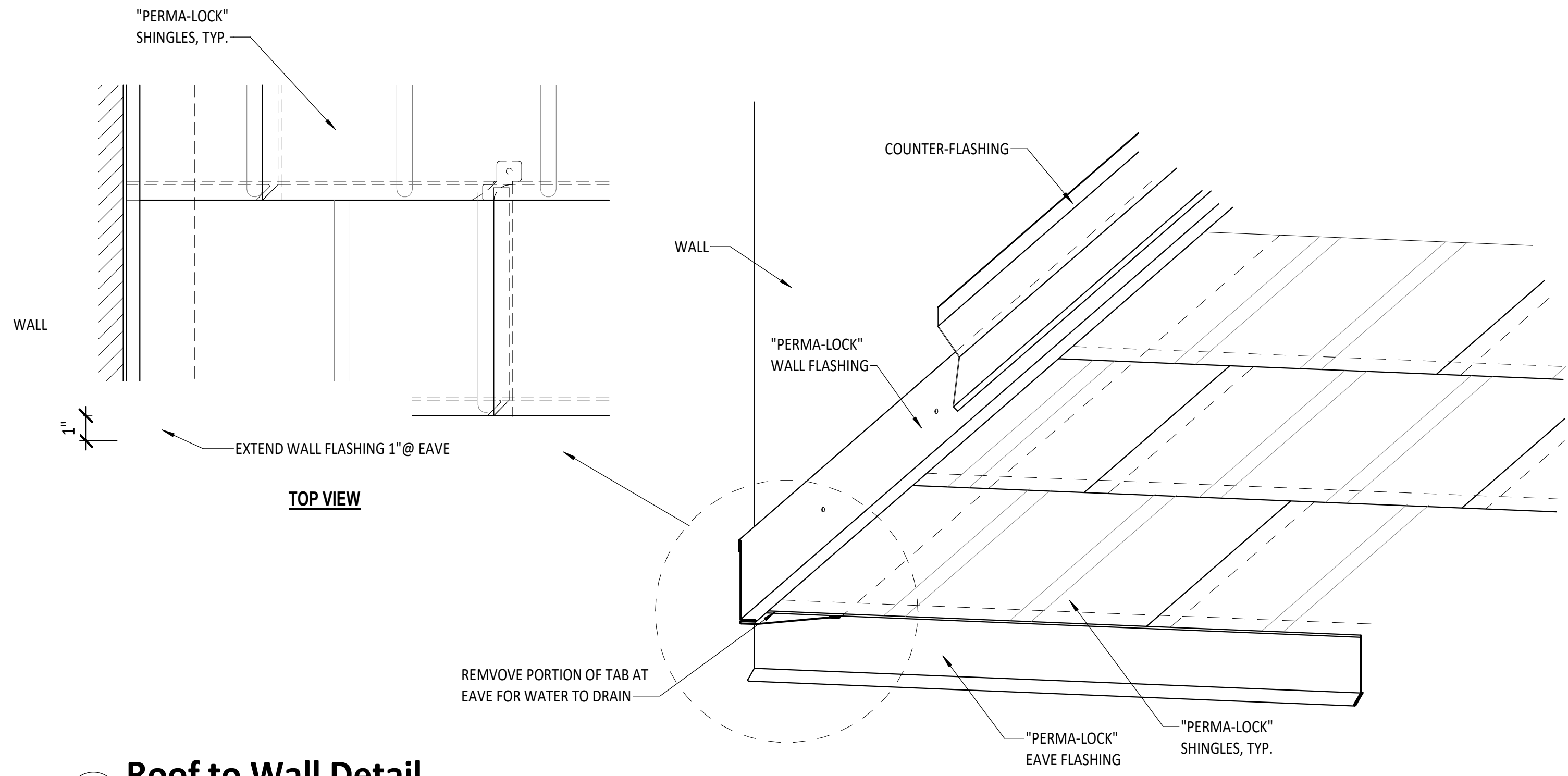
PROJECT NO. 18746  
DRAWN BY CEG  
CHECKED BY CEG  
DATE JANUARY 2019  
PROP. NO. #

**SHINGLE SYSTEM DETAILS**  
**A5.02**

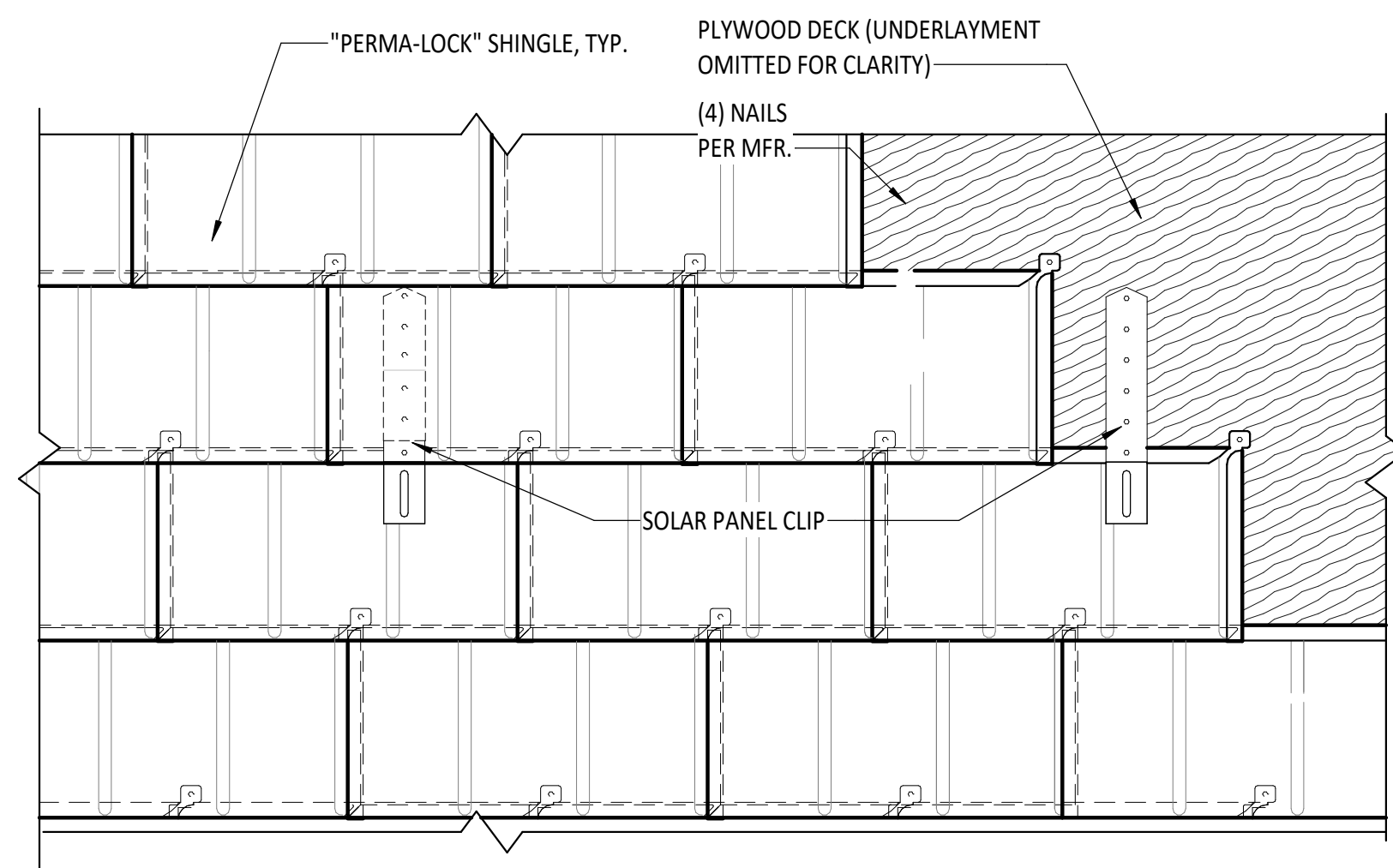
S:\2018Files\18746\Consulting\Prod Dwg\18746 - Details.rvt



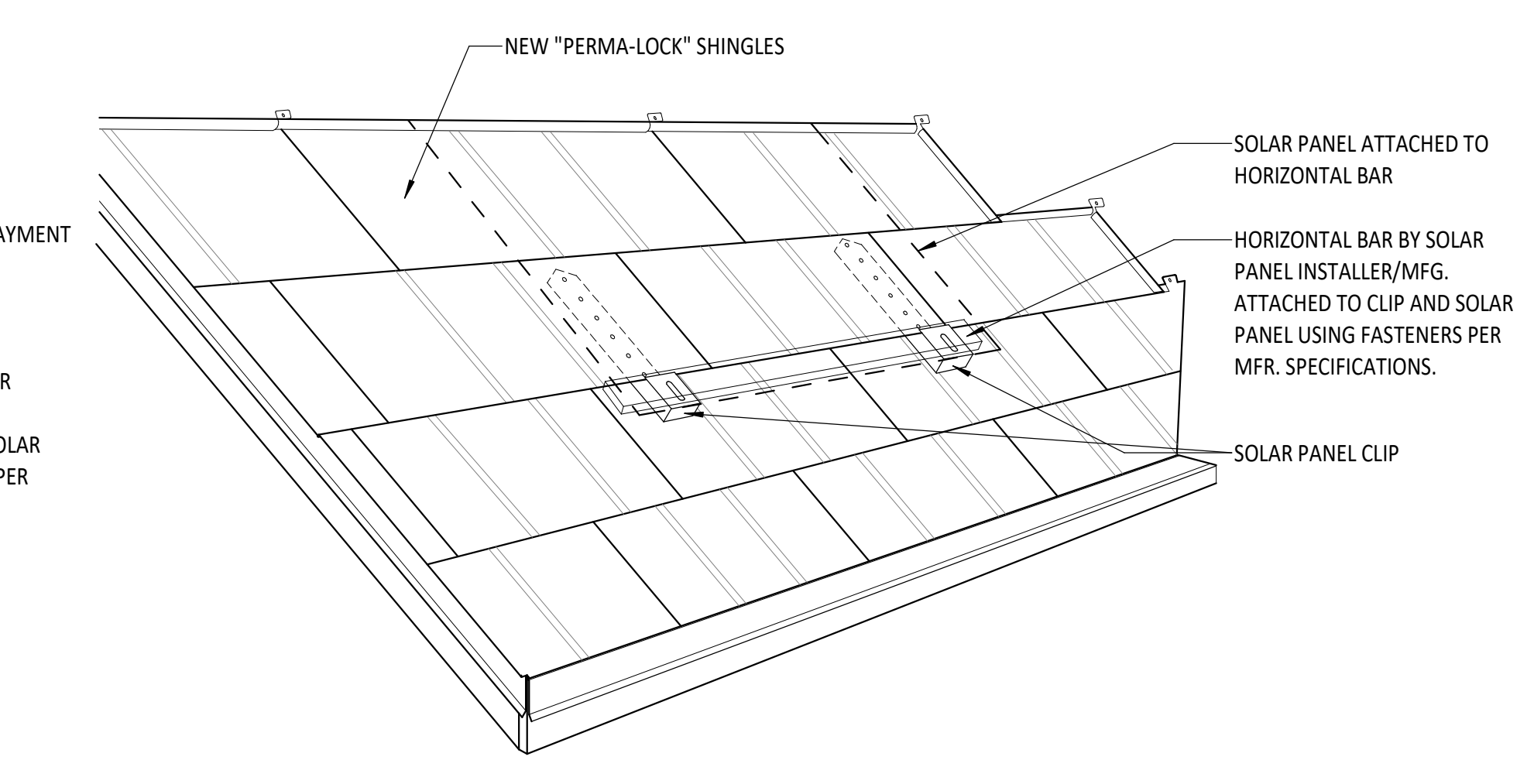
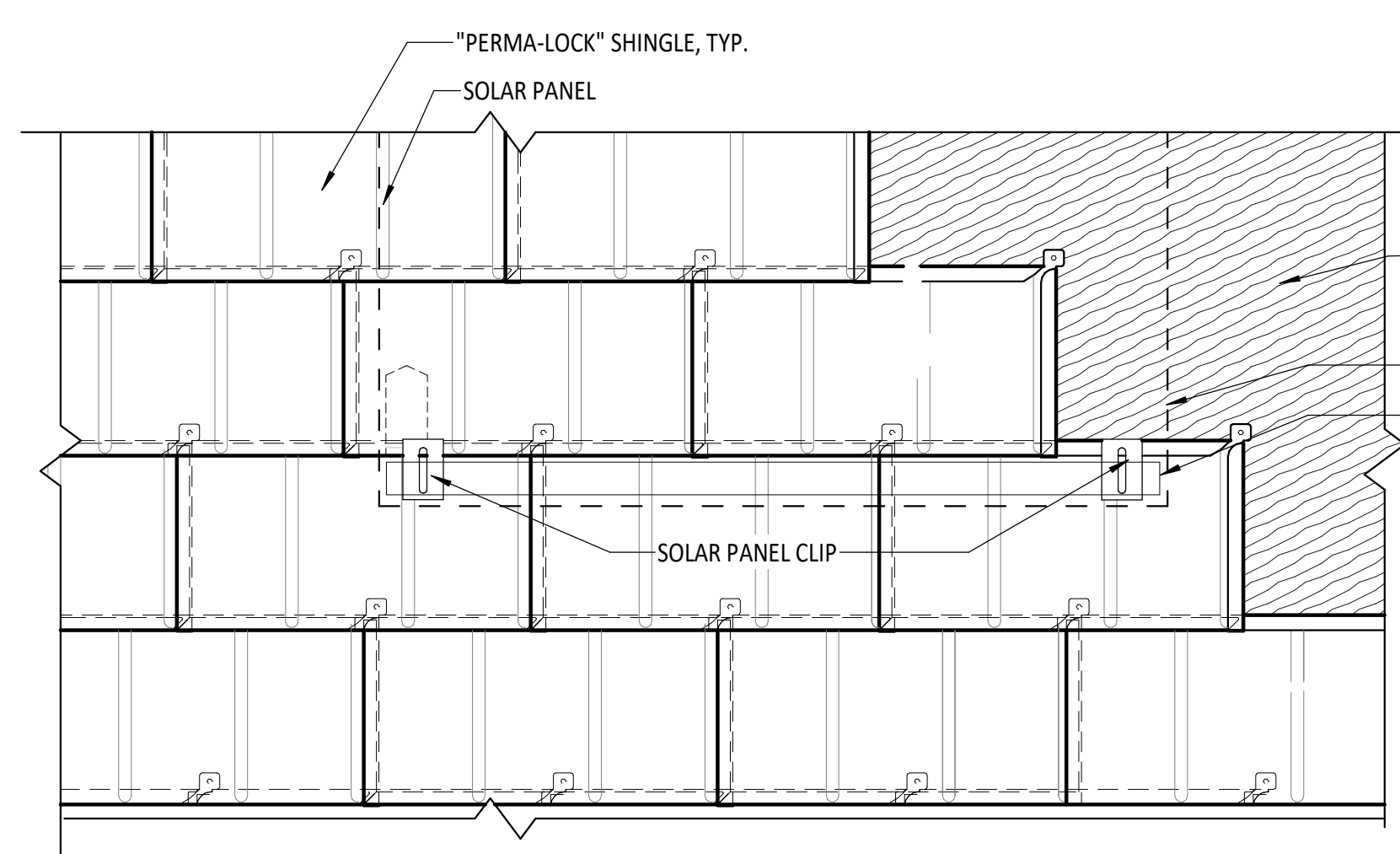
**1 Cricket Detail**  
N.T.S.



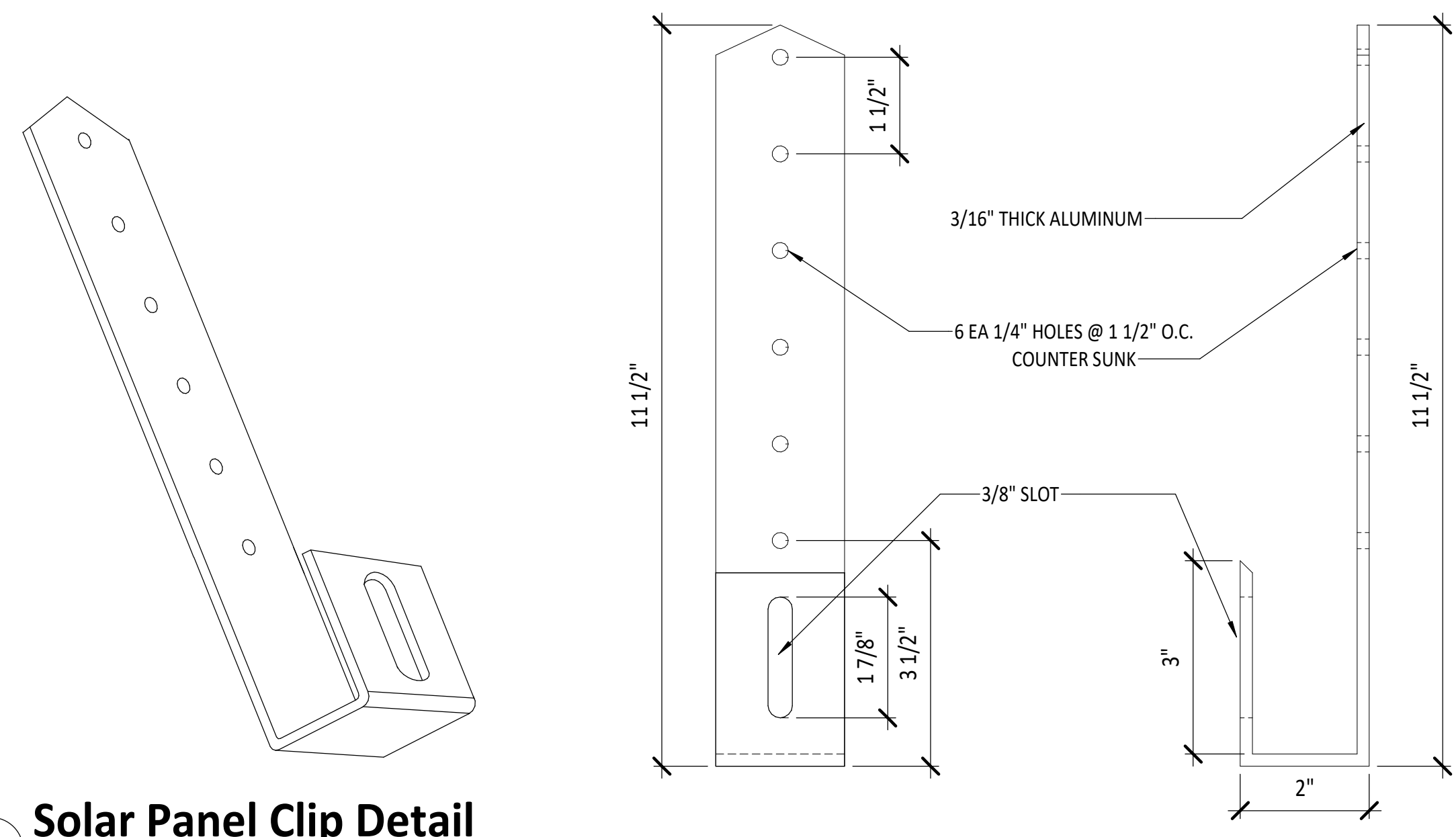
**2 Roof to Wall Detail**  
SCALE: 3" = 1'-0"



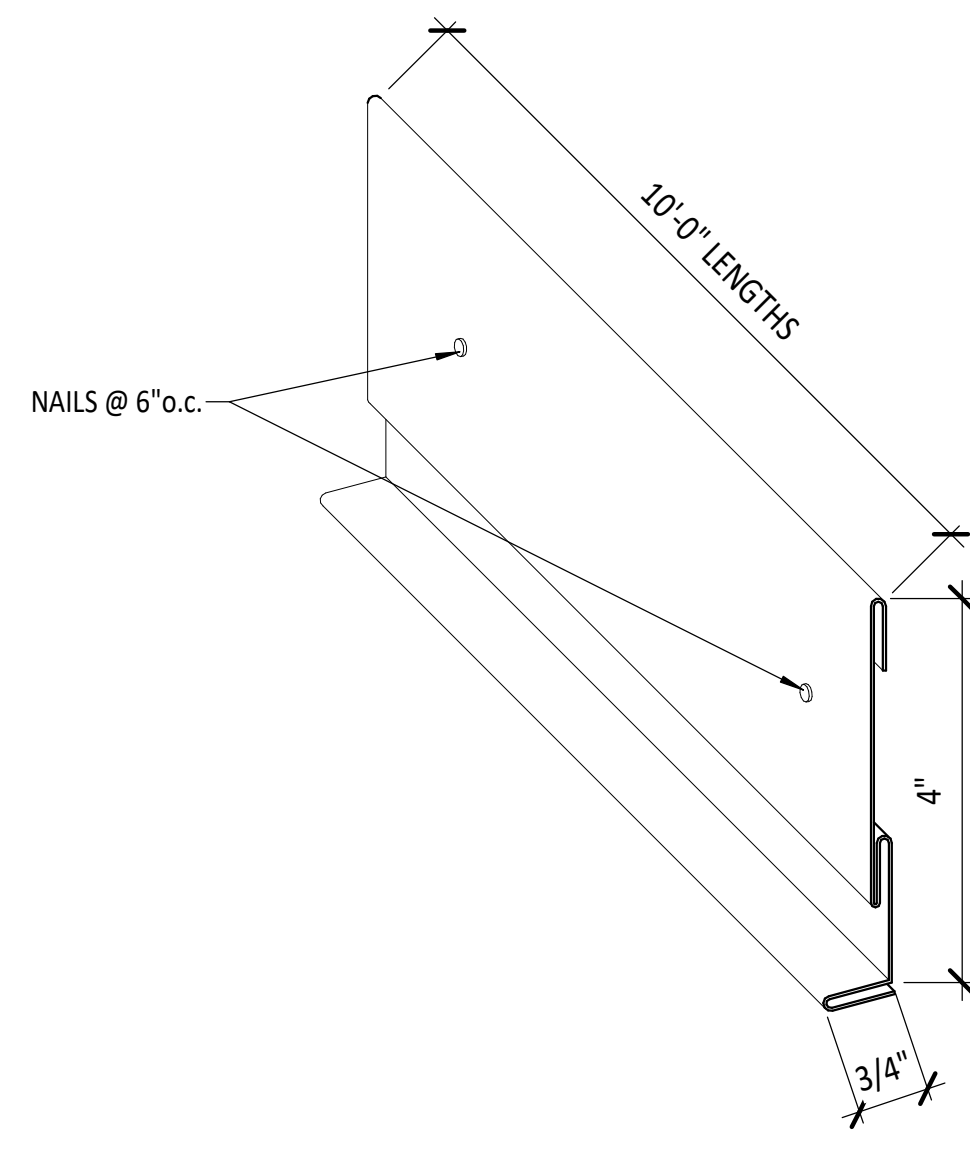
**3 Solar Panel Installation**  
SCALE: 1 1/2" = 1'-0"



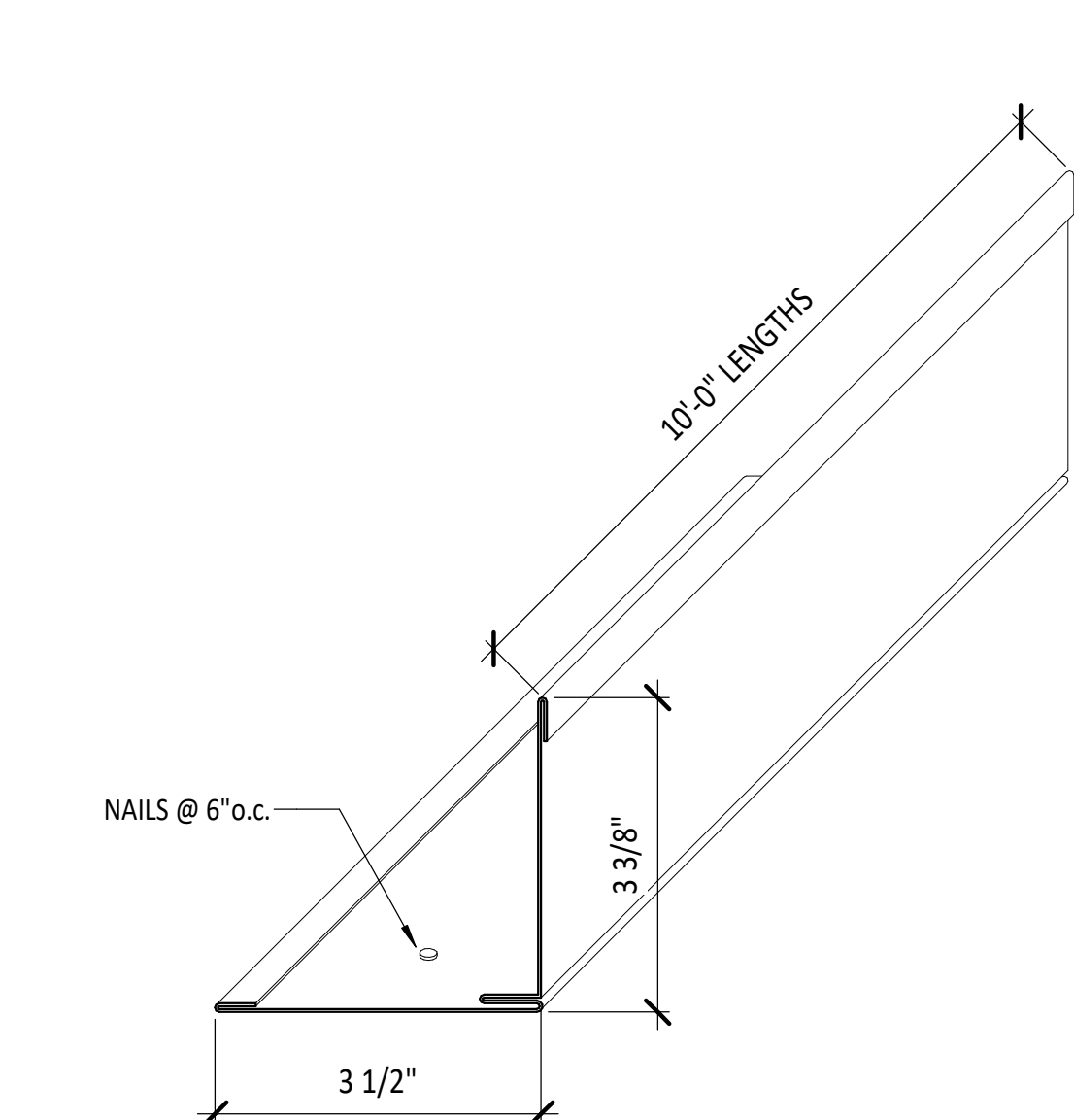
**4 Solar Panel Support Assembly**  
SCALE: 3/4" = 1'-0"



**5 Solar Panel Clip Detail**  
SCALE: 6" = 1'-0"



**6 Wall Base/Starter Flashing**  
SCALE: 6" = 1'-0"



**7 Chimney/Wall Base Flashing**  
SCALE: 6" = 1'-0"

S:\2018Files\18746\Consulting\Prod Dwg\18746 - Details.rvt

REVISIONS	DESCRIPTION	DATE

PROJECT NO. 18746  
DRAWN BY DTS  
CHECKED BY CEG  
DATE JANUARY 2019  
PROP. NO. #

**SHINGLE SYSTEM DETAILS**  
**A5.03**